

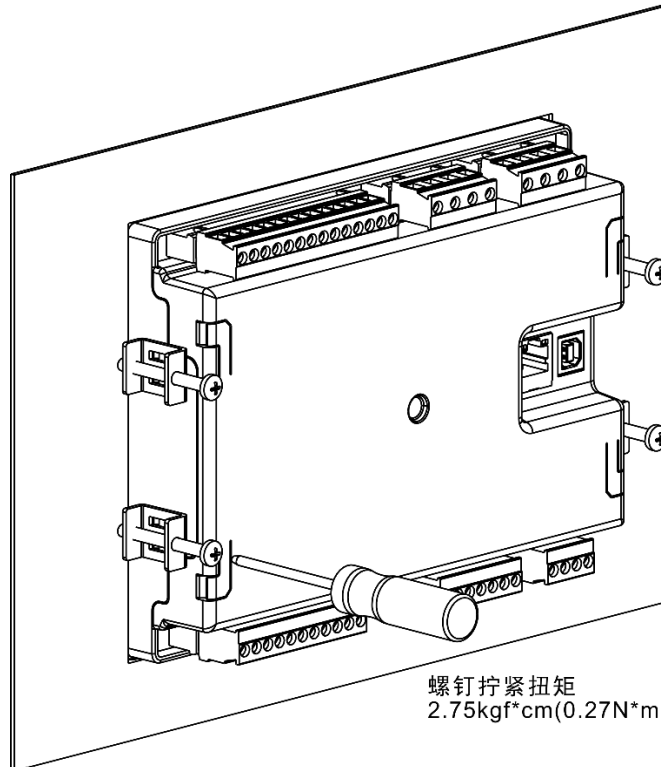


Tools: Torque screwdriver

Torque: 2.75kgf*cm(0.27N*m)

Note: When installing the clips, please hold the clips with your hand, and try to keep the clips and the panel vertically tightened.

Installation diagram:



Note 1: There a risk of cracking shell due to excessive torque;

Note 2: There is a risk of loosening clips when lack of torque



Please download SmartGen Products App to get more information of SmartGen products.

SmartGen Products App

郑州众智科技股份有限公司

SMARTGEN(ZHENGZHOU)TECHNOLOGY CO.,LTD.

地址:中国·河南省郑州高新技术开发区金梭路 28 号

Add: No.28 Jinsuo Road.Zhengzhu City

Henan Province,China

Tel: +86-371-67988888/67981888/67992951

+86-371-67981000(overseas)

Fax: +86-371-67992952

E-mail: sales@smartgen.cn

Web: www.smartgen.com.cn/www.smartgen.cn