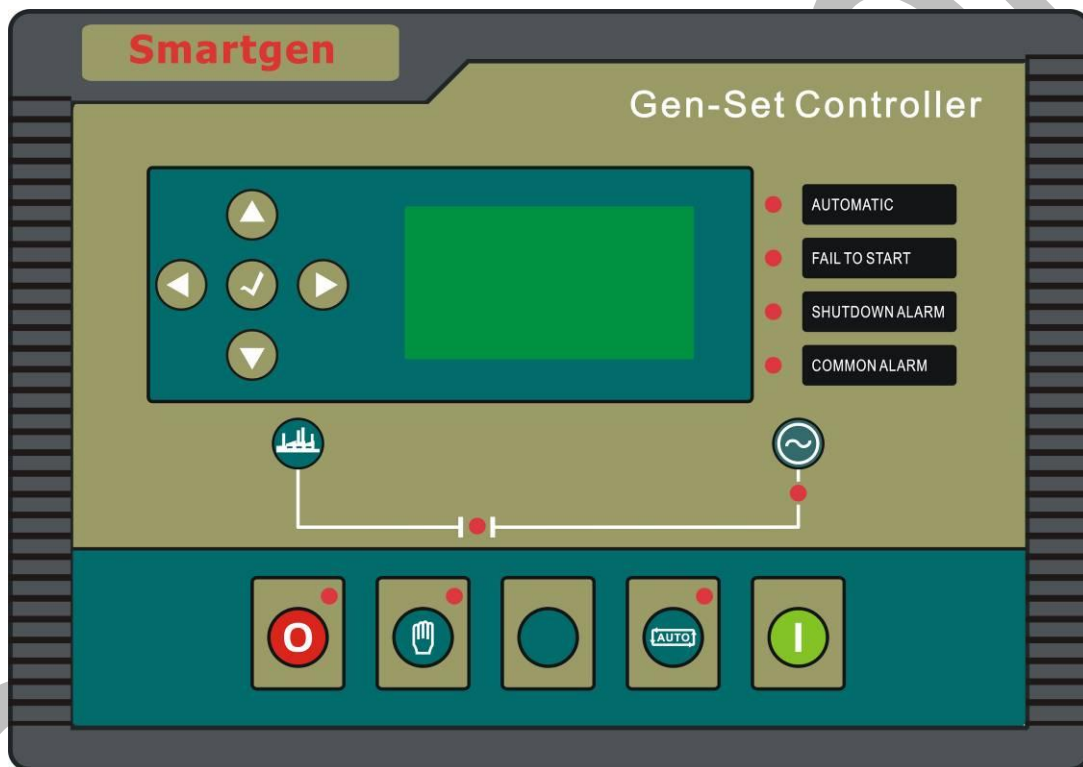


Smartgen[®]

HGM6500 Genset Parallel Unit

PARALLEL SCHEME



Smartgen Technology



众智电子 Chinese trademark

Smartgen[®] English trademark

Smartgen — make your generator *smart*

Smartgen Technology Co., Ltd.

No. 28 Jinsuo Road

Zhengzhou city

Henan Province

P. R. China

Tel: +86-371-67988888/67981888

+86-371-67991553/67992951

+86-371-67981000(overseas)

Fax: 0086-371-67992952

Web: <http://www.smartgen.com.cn>

<http://www.smartgen.cn>

Email: sales@smartgen.cn

All rights reserved. No part of this publication may be reproduced in any material form (including photocopying or storing in any medium by electronic means or other) without the written permission of the copyright holder.

Smartgen Technology reserves the right to change the contents of this document without prior notice.

Version history

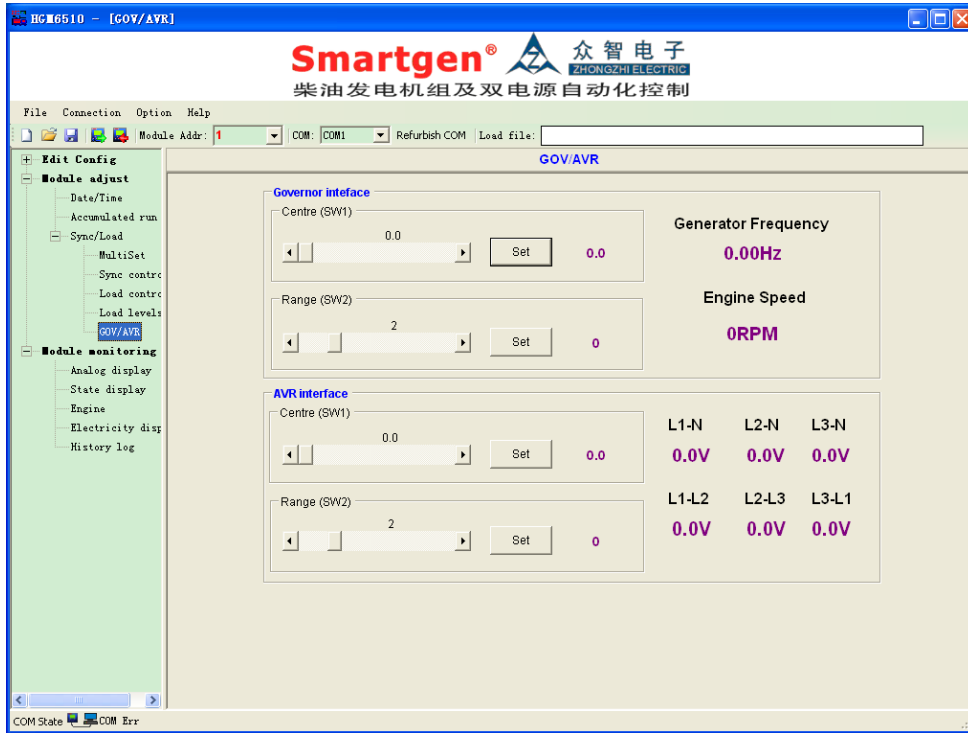
Date	Version	Contents
2010-08-04	1.0	Original release
2013-07-29	1.1	Modify some details.

CONTENTS

1	GOV/AVR CONTROL.....	4
2	GOV WIRING	6
2.1	GAC GOV	6
2.1.1	5100-5500 SERIES	6
2.2	COMMINS GOV.....	6
2.2.1	EFC* SERIES	6
2.3	VOLVO GOV	7
2.3.1	ECU ENGINE EMS2	7
2.4	Perkins GOV	8
2.4.1	ECU ENGINE 2000 SERIES.....	8
3	AVR WIRING	9
3.1	STANFORD AVR.....	9
3.1.1	SX421, SX440*, SX465-2.....	9
3.1.2	MAX341	9
3.2	MARATHON AVR.....	9
3.2.1	DVR2000E.....	9
3.3	LEROY SOMER AVR.....	10
3.3.1	R448	10
3.4	ENGGA AVR	10
3.4.1	WT-2	10

1 GOV/AVR CONTROL

Users can adjust the engine speed and generator voltage via DC voltage output port. Different gensets have different GOV voltage and AVR voltage, so please set the matched center voltage and voltage range.



GOV/AVR

Items	Description
GOV	<p>Center (SW1): Control the center voltage by setting the GOV speed.</p> <p>Range (SW2): Control the bias voltage range by setting the GOV speed.</p>
AVR	<p>Center (SW1): Control the center voltage by setting the AVR voltage.</p> <p>Range (SW2): Control the bias voltage range by setting the AVR voltage.</p>

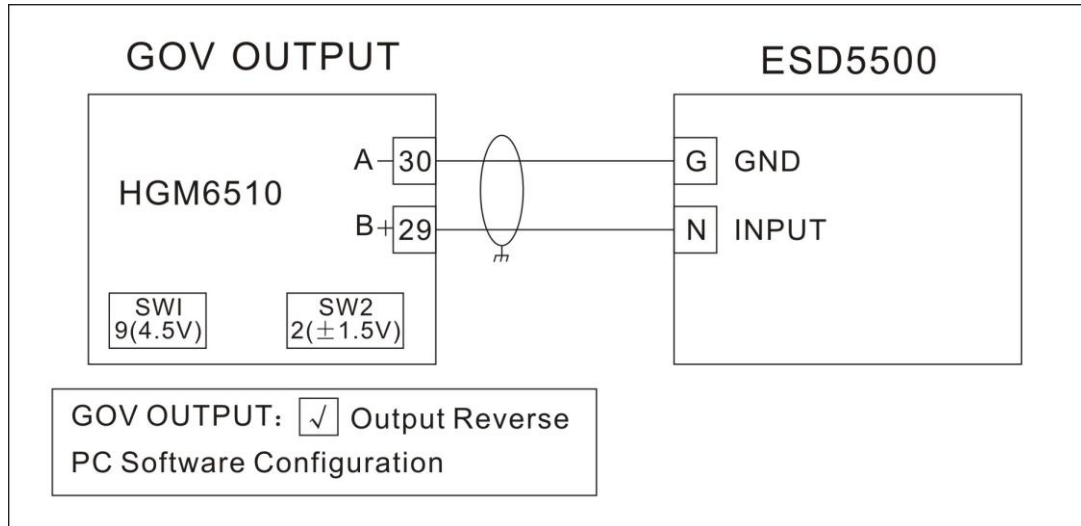
SW1/SW2 Setting

SW1(Center Voltage)		SW2 (Voltage Range)	
0	0V	0	$\pm 0.5V$
1	0.5V	1	$\pm 1.0V$
2	1.0V	2	$\pm 1.5V$
3	1.5V	3	$\pm 2.0V$
4	2.0V	4	$\pm 2.5V$
5	2.5V	5	$\pm 3.0V$
6	3.0V	6	$\pm 3.5V$
7	3.5V	7	$\pm 4.0V$
8	4.0V	8	$\pm 4.5V$
9	4.5V	9	$\pm 5.0V$
10	5.0V	10	$\pm 5.5V$

2 GOV WIRING

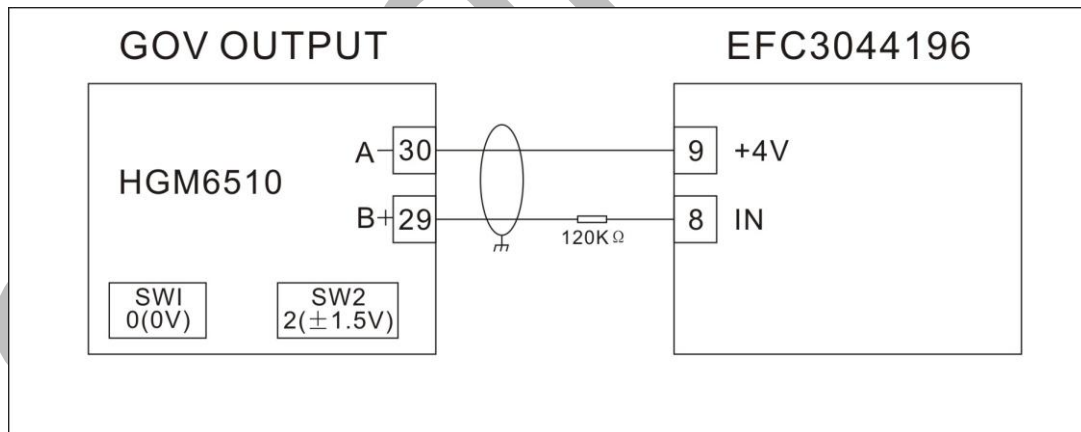
2.1 GAC GOV

2.1.1 5100-5500 SERIES



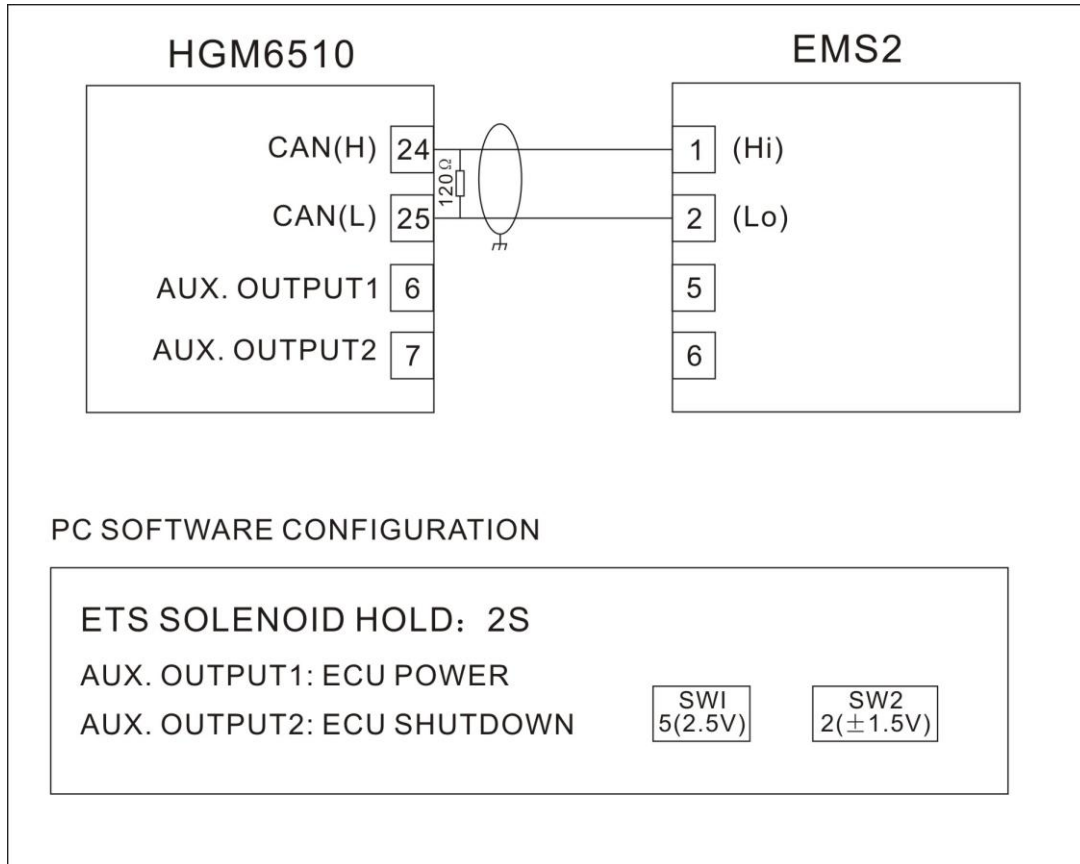
2.2 COMMINS GOV

2.2.1 EFC* SERIES



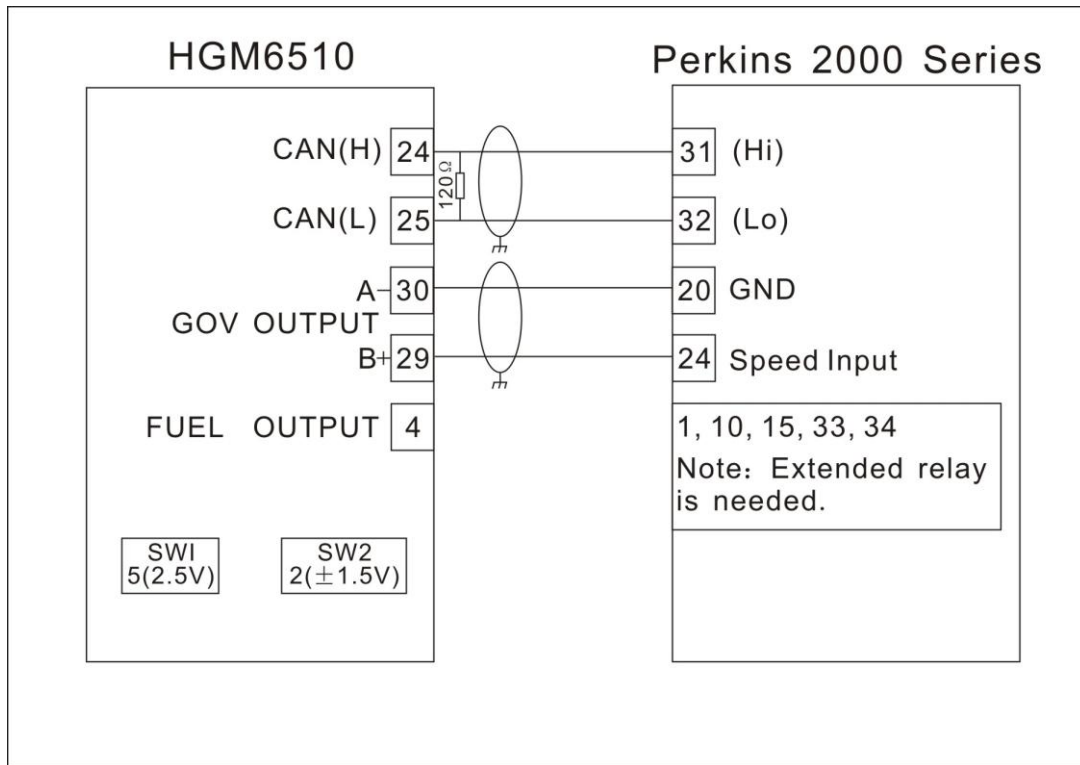
2.3 VOLVO GOV

2.3.1 ECU ENGINE EMS2



2.4 Perkins GOV

2.4.1 ECU ENGINE 2000 SERIES

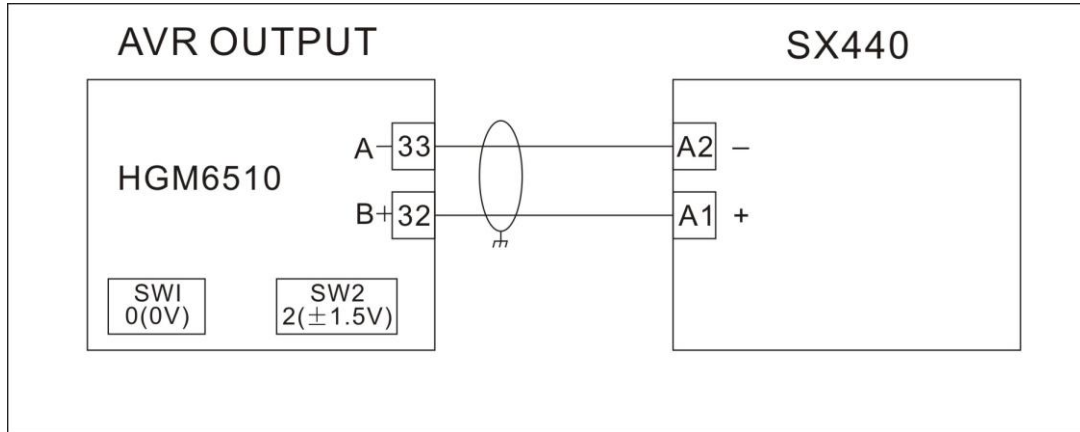


Small

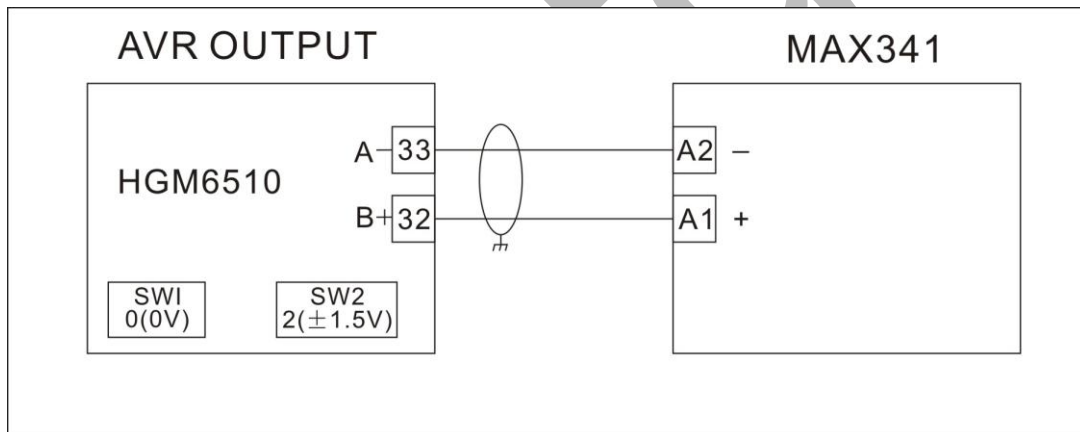
3 AVR WIRING

3.1 STANFORD AVR

3.1.1 SX421, SX440*, SX465-2

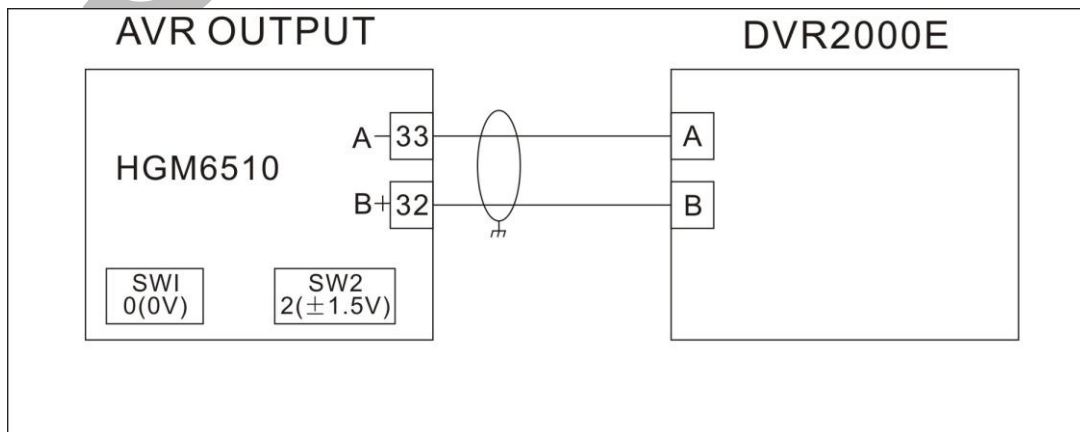


3.1.2 MAX341



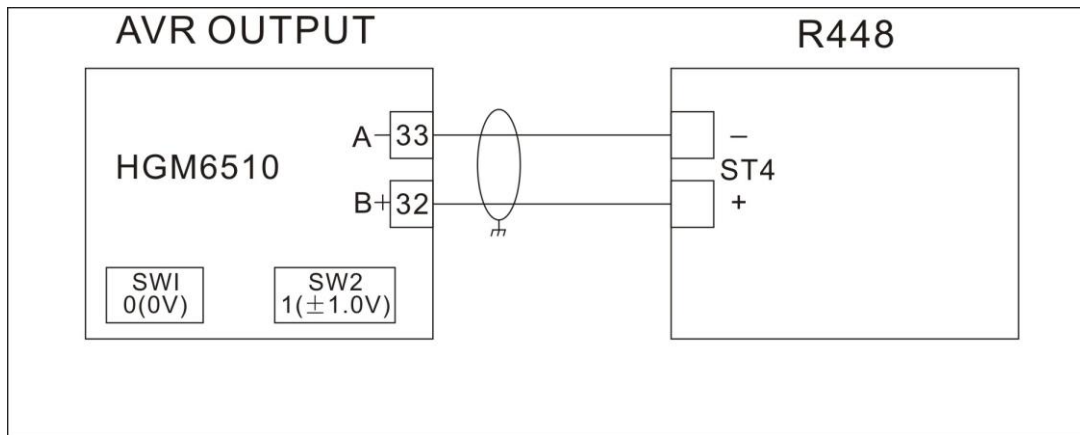
3.2 MARATHON AVR

3.2.1 DVR2000E



3.3 LEROY SOMER AVR

3.3.1 R448



3.4 ENGGA AVR

3.4.1 WT-2

