

Smartgen®

SG361 GSM/GPRS Module

USER MANUAL



Smartgen Technology



众智电子 Chinese trademark

Smartgen[®] English trademark

Smartgen — make your generator *smart*

Smartgen Technology Co., Ltd.

No. 28 Jinsuo Road

Zhengzhou City

Henan Province

P. R. China

Tel: +86-371-67988888

+86-371-67981888

+86-371-67991553

+86-371-67992951

+86-371-67981000(overseas)

Fax: 0086-371-67992952

Web: <http://www.smartgen.com.cn/>

<http://www.smartgen.cn/>

Email: sales@smartgen.cn

All rights reserved. No part of this publication may be reproduced in any material form (including photocopying or storing in any medium by electronic means or other) without the written permission of the copyright holder.

Smartgen Technology reserves the right to change the contents of this document without prior notice.

If colors of actual products are different from those mentioned within this manual, please take the actual product as the standard.

Software Version

Date	Version	Content
2014-02-23	1.0	Original release.

Contents

1	OVERVIEW.....	4
2	PRODUCT FEATURE.....	5
2.1	TECHNICAL PARAMETERS	5
2.2	STRUCTURE.....	6
3	TYPICAL APPLICATION AND INSTALLATION STEPS.....	7
3.1	TYPICAL APPLICATION.....	7
3.2	INSTALLATION STEPS	7
3.3	INSTALLATION.....	8

SmartGen

1 OVERVIEW

SG361 GSM/GPRS Module has SMS (Short Message Service) function and GPRS data transmission function.

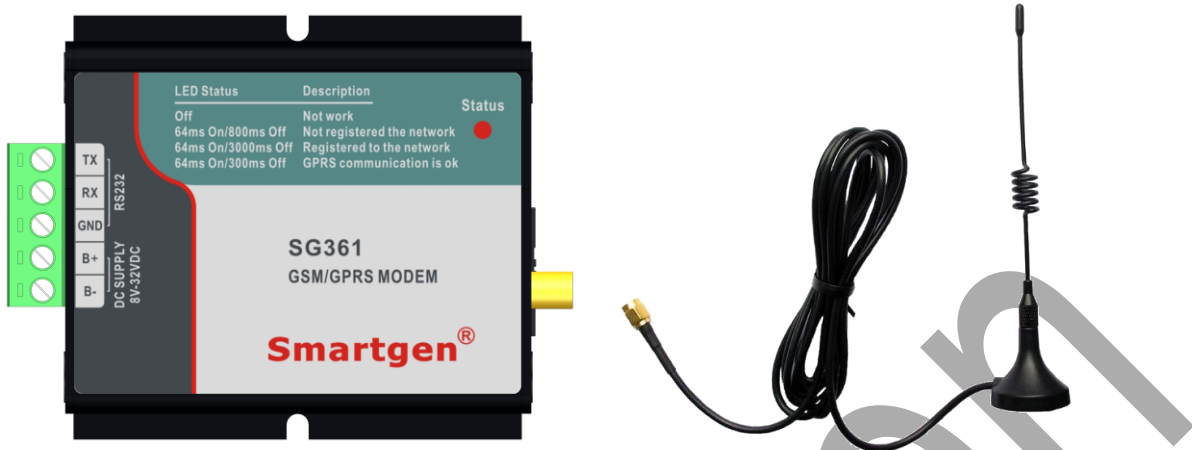
SmartGen

2 PRODUCT FEATURE

2.1 TECHNICAL PARAMETERS

- Power supply: DC(8~32)V;
- Four-frequency GSM/GPRS module; Working frequency: GSM/GPRS 850/900/1800/1900MHz;
- Control (GSM 07.07, 07.05) via AT command;
- GPRS multi-slot class 10/8;
- GPRS mobile station class B;
- GPRS class 10: maximum 85.6 kbps (downstream rate);
- SMS: text mode/PDU mode;
- Antenna Interface: 50Ω/SMA (Female);
- SIM card: 1.8/3V, Automatic detection; Drawer type card slot;
- Power supply Interface: pluggable terminals;
- RS232 Communication interface: TX、RX、GND;
- Working Temperature: (-30~+70) °C;
- Storage Temperature: (-30~+80) °C;
- Humidity: 95% (No condensation);
- Case Dimensions(mm): 89x66x26mm(L*W*H);
- Weight: 151g.

2.2 STRUCTURE



1、 TERMINAL

- TX: Sending end; connect to RX of RS232 interface.
- RX: Receiving end; connect to TX of RS232 interface.
- GND: Ground wire; connect to ground wire of RS232 interface.
- B+: Positive power supply; voltage range: (8~32)V
- B-: Negative power supply

2、 NETWORK STATUS INDICATOR (RED)

LED STATUS	DESCRIPTION
Off	Not work
64ms On/800ms Off	Not registered to the network
64ms On/3000ms Off	Registered to the network
64ms On/300ms Off	GPRS communication is ok.

3、 SIM CARD SLOT

Drawer type card slot, used for installing the SIM card

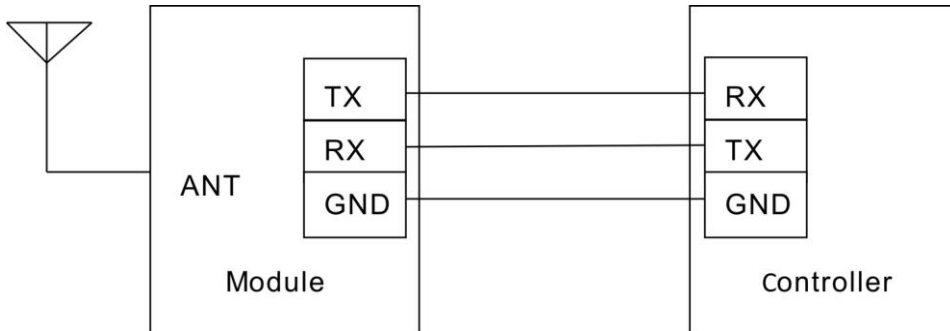
4、 ANTENNA INTERFACE

Fit with standard SMA interface and 50Ω matching impedance.

Connect the antenna to SMA interface and then tighten the screws.

3 TYPICAL APPLICATION AND INSTALLATION STEPS

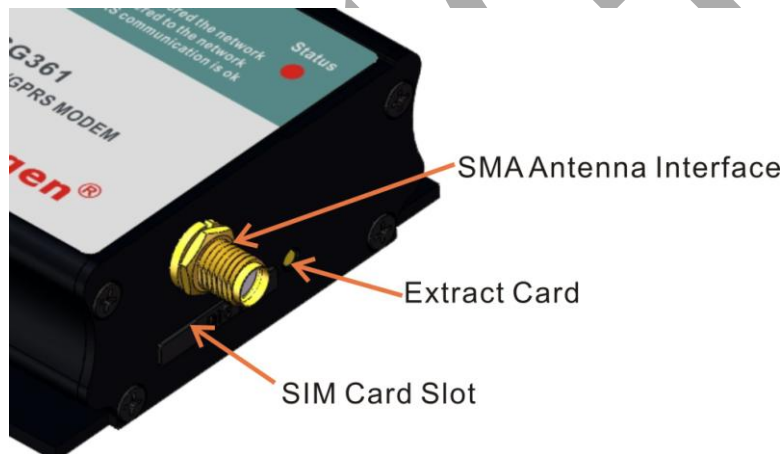
3.1 TYPICAL APPLICATION



3.2 INSTALLATION STEPS

1 INSERT SIM CARD

The drawer of the SIM card will pop up after the yellow key is pressed using needle. Insert the SIM card into the slot and then close the drawer.



2 INSTALL ANTENNA

Connect the antenna to SMA interface and then tighten the screws.

3 COMMUNICATE WITH CONTROLLER

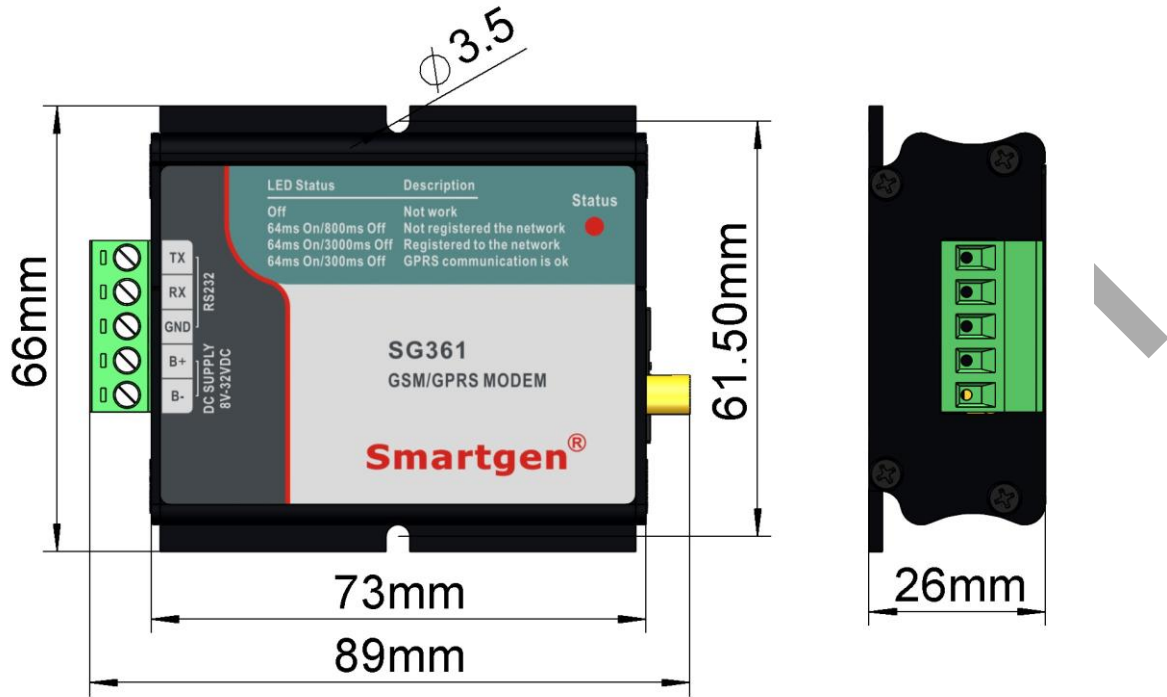
Details connection way please refer to *Chapter 3.1 TYPICAL APPLICATION*

4 CONNECT POWER LINE

The power should not less than 5W to ensure the operation is smoothly as the power supply voltage of the SG361 module is DC(8~32)V. The system is normal running if the network status indicator is "64ms On/300ms Off" and users can control data transmission via AT command.

3.3 INSTALLATION

It is fixed by two M3 screws when installed and the center distance is 61.5mm. The overall dimensions please refers to as following:



Smartgen